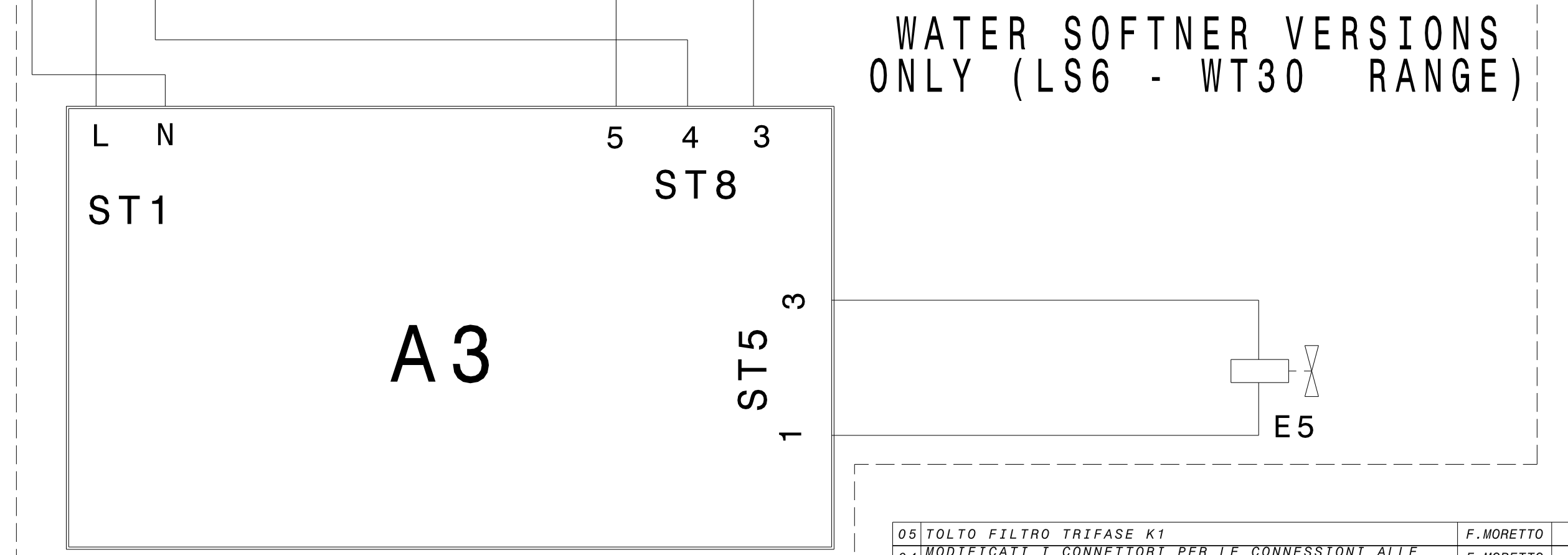
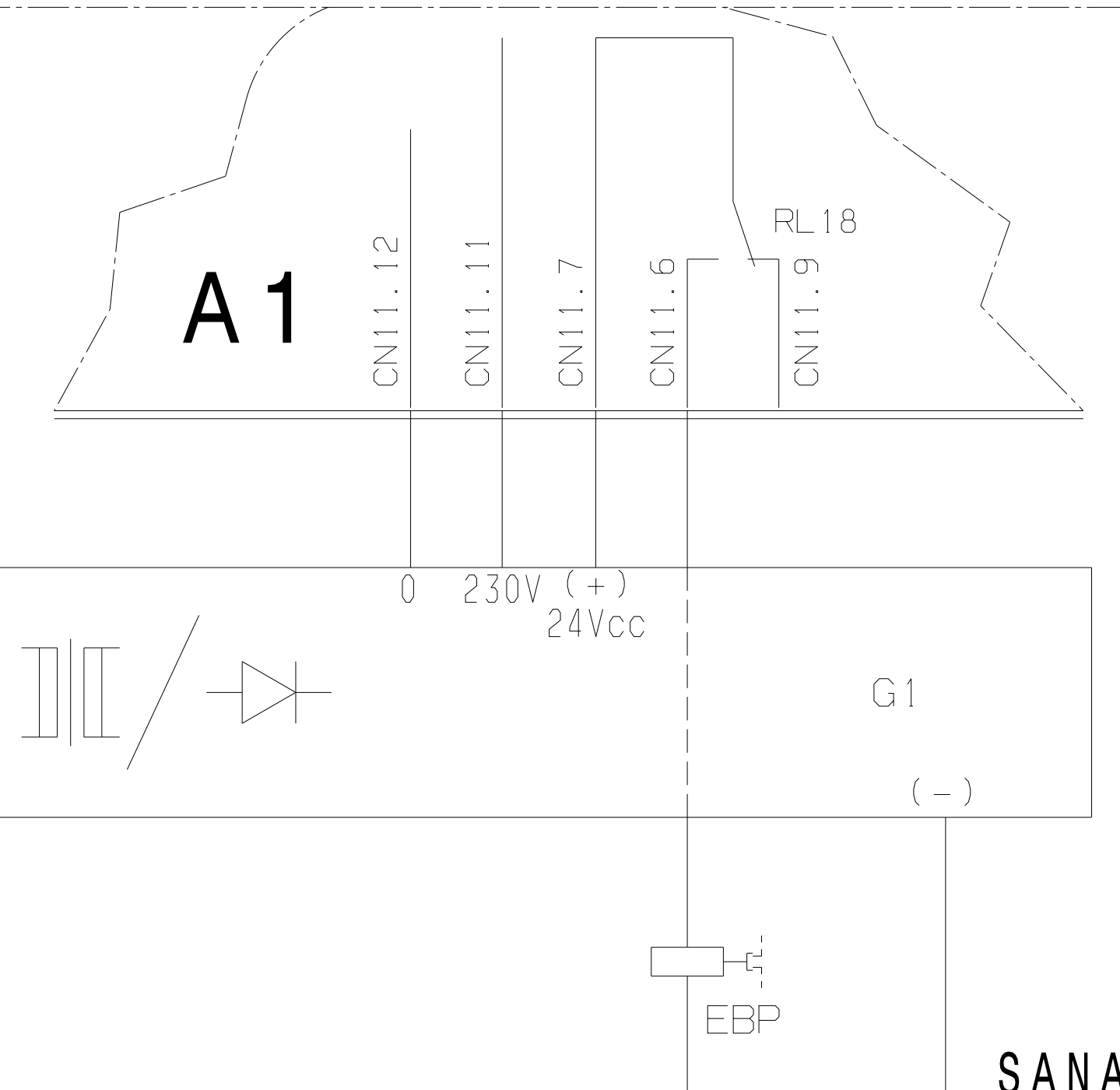
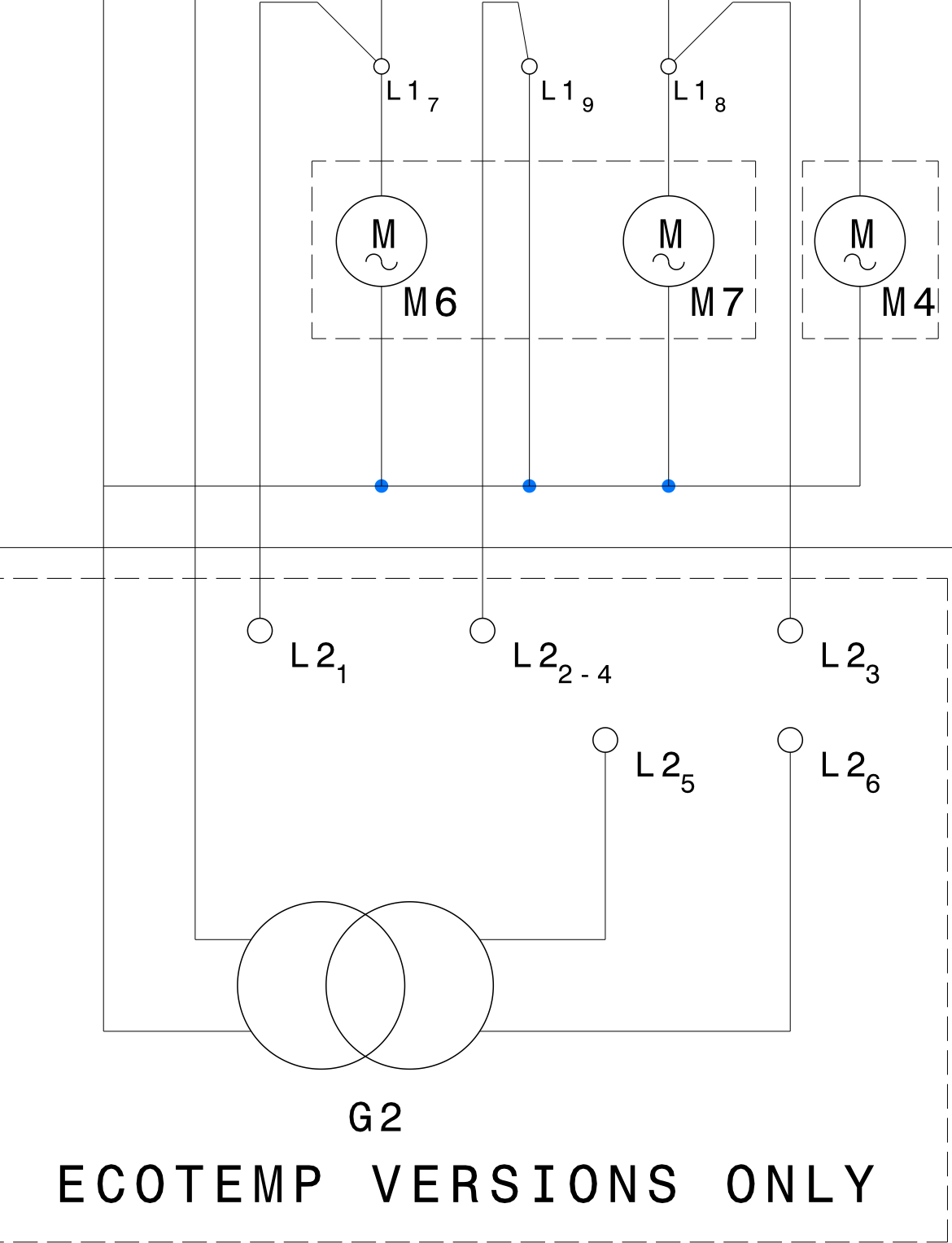
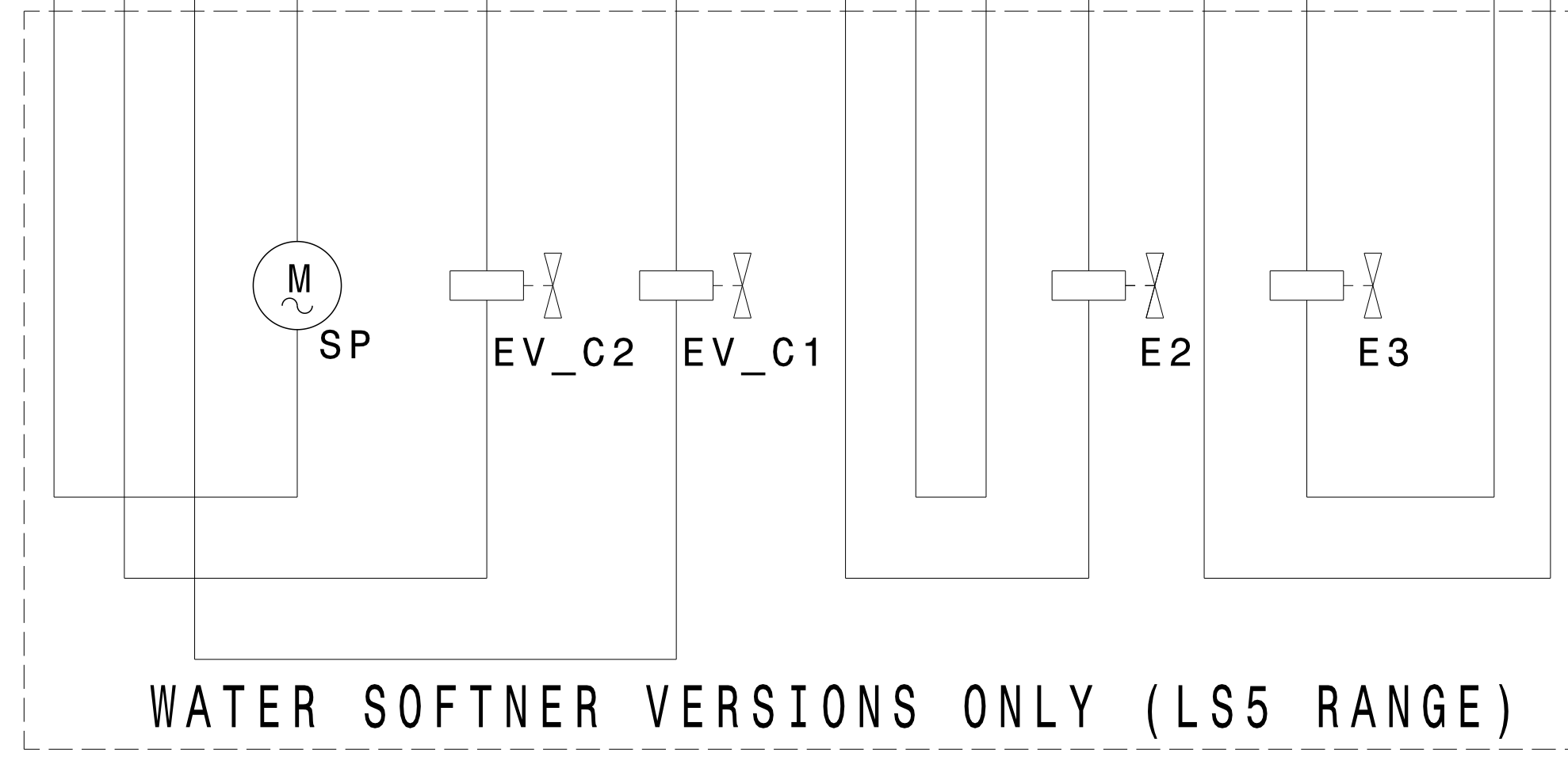
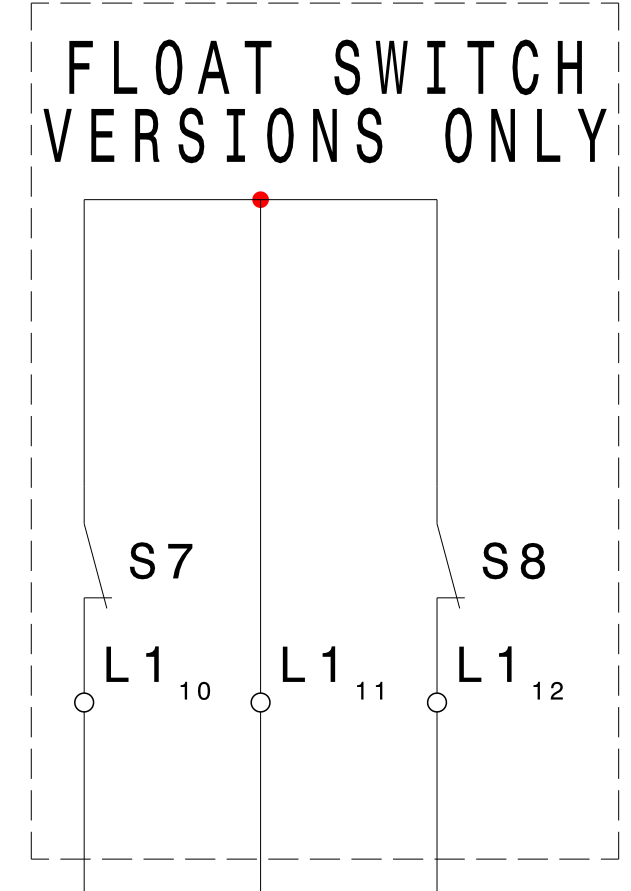
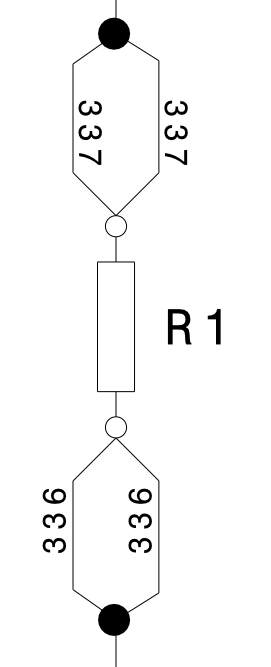
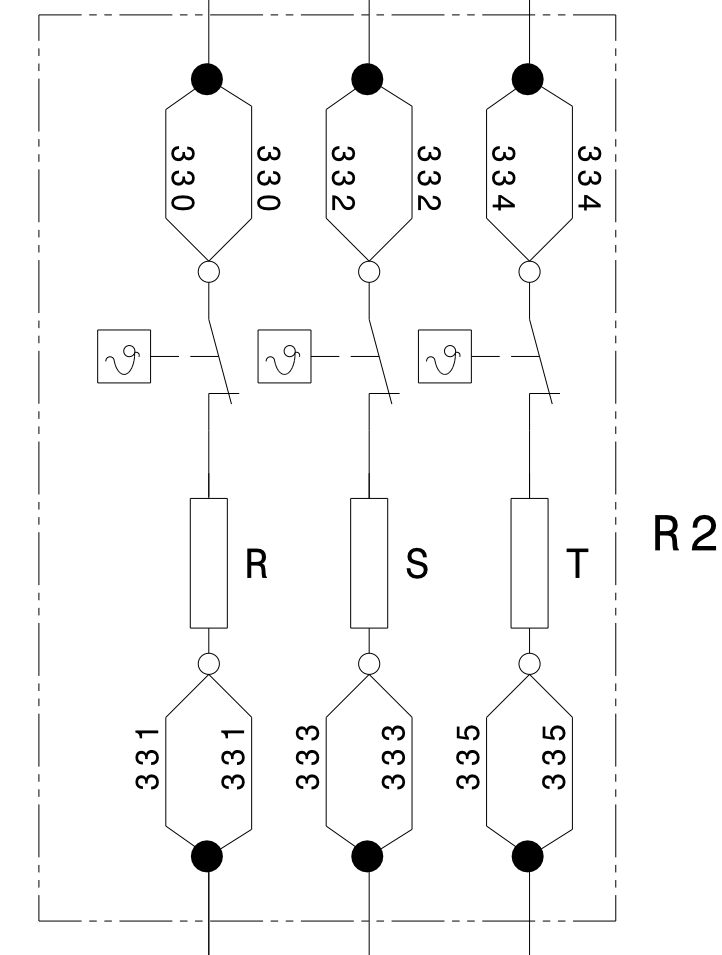
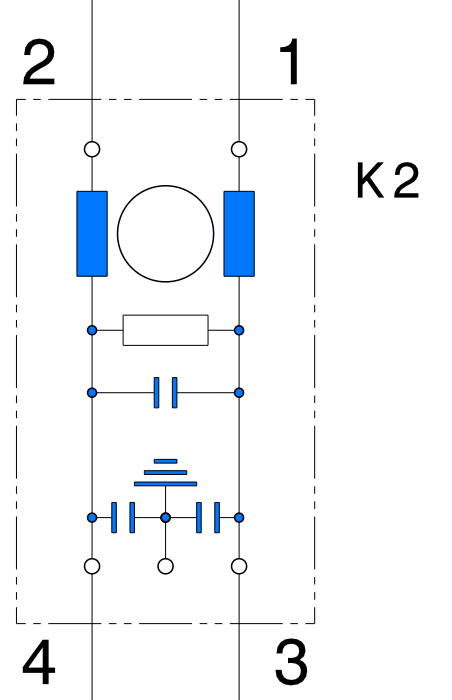
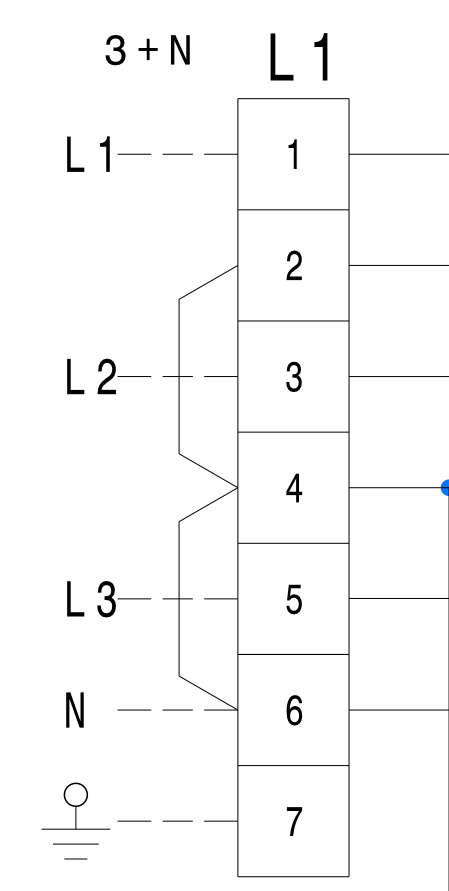


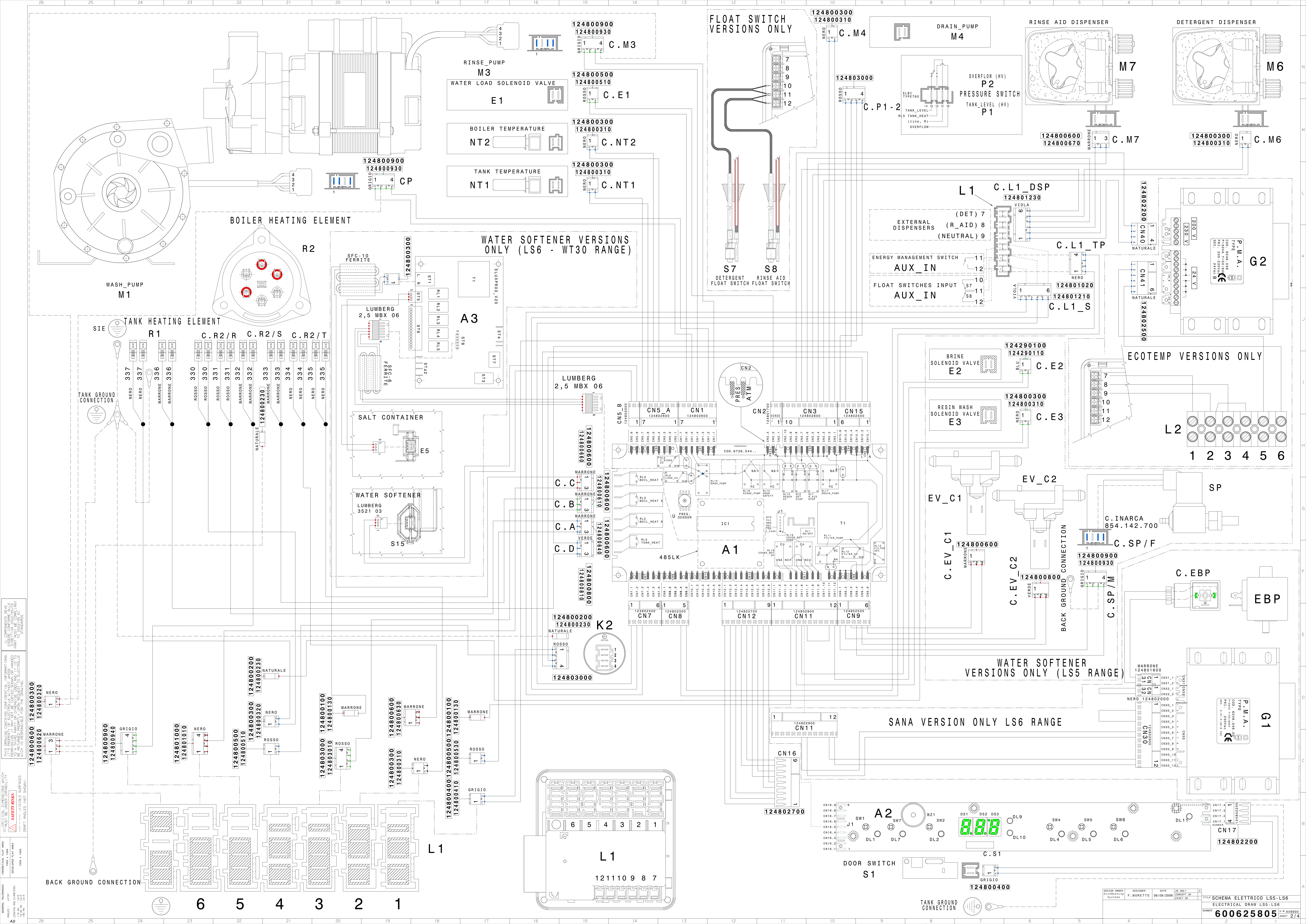
- A1 MAIN BOARD
- A2 USER INTERFACE
- A3 WATER SOFTENER ELECTRICAL BOARD
- C1 WASH PUMP CONTACTOR
- CP WASH PUMP CONNECTOR
- E1 WATER LOAD SOLENOID VALVE
- E2 BRINE SOLENOID VALVE
- E3 RESIN WASH SOLENOID VALVE
- E5 SALT CONTAINER SOLENOID VALVE
- E6-E7-E8-E9 WATER SOFTENER SOLENOID VALVES
- EBP DOOR LOCK DEVICE
- EV_C1/EV_C2 LOW PRESSURE SOLENOID VALVES
- G1 DC POWER SUPPLY
- K1 R.F.I. FILTERS
- L1 TERMINAL BLOCK
- L1/7-9 DETERGENT DISPENSER CONNECTING TERMINALS
- L1/8-9 RINSE AID DISPENSER CONNECTING TERMINALS
- L1/11-12 ENERGY PEAK CONTROLLER TERMINALS
- L2 AUXILIARY TERMINAL BLOCK
- L3 HACCP CONNECTION
- M1 WASH PUMP
- M3 RINSE PUMP
- M4 DRAIN PUMP
- M6 DETERGENT DISPENSER
- M7 RINSE AID DISPENSER
- NT1 NTC - TANK TEMPERATURE SENSOR
- NT2 NTC - BOILER TEMPERATURE SENSOR
- NT3 WATER SOFTENER TEMPERATURE SENSOR
- P1,2 PRESSURE SWITCH
- P1: TANK LEVEL
- P2: OVERFLOW
- R1 TANK HEATING ELEMENT
- R2 BOILER HEATING ELEMENT
- S1 DOOR SWITCH
- S7 DETERGENT FLOAT SWITCH
- S8 RINSE AID FLOAT SWITCH
- S9 FLOWMETER
- S10-S11-S12-S13-S14 WATER SOFTENER CONDUCTIVITY SENSORS
- S15 BOILER LEVEL SENSOR
- S16 REGENERATION LEVEL SENSOR
- SFC-6 FERRITE
- SFC-10 FERRITE
- SP SALT RECEPTACLE DRAIN PUMP



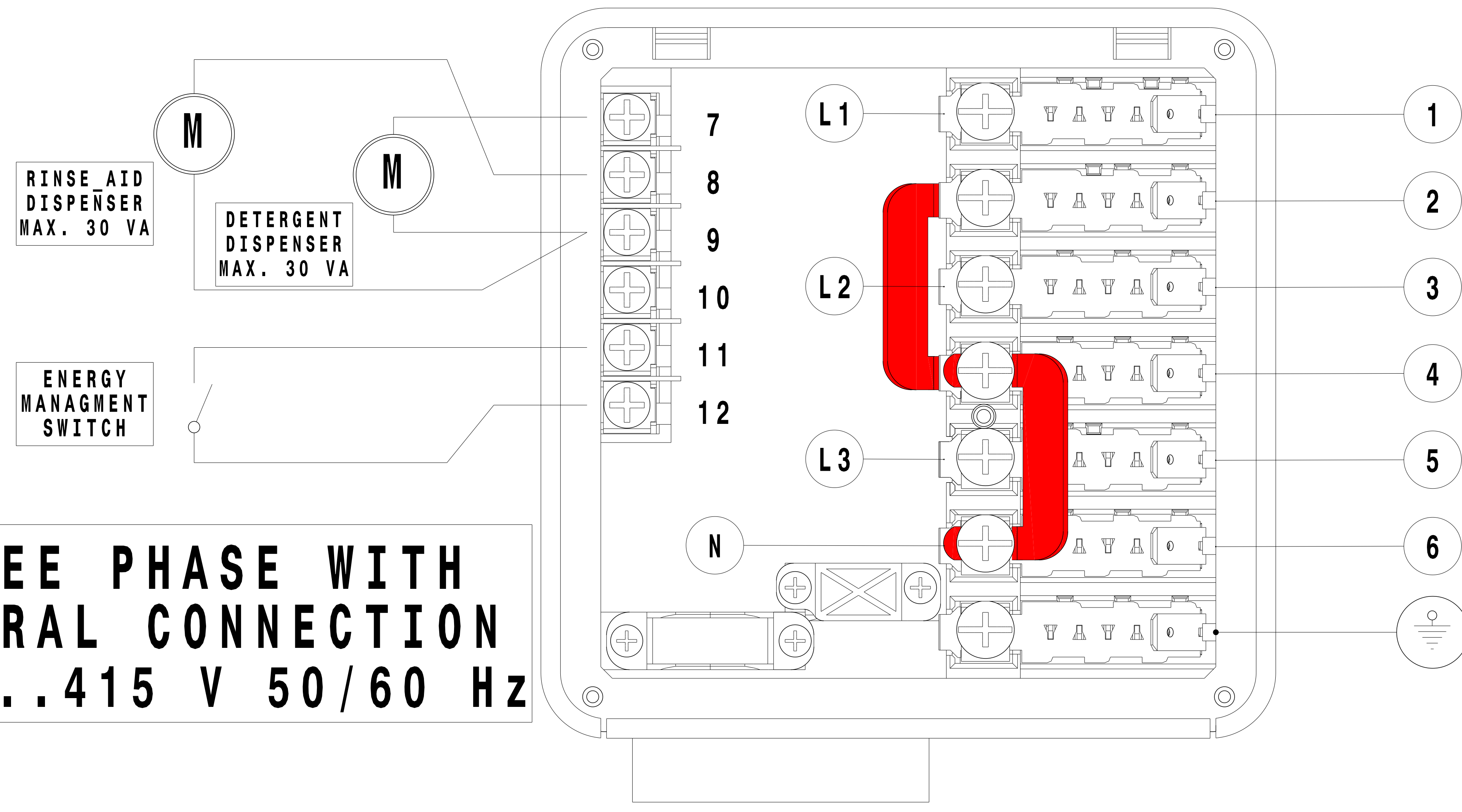
THIS DRAWING CONTAINS CONFIDENTIAL INFORMATION. IT IS THE PROPERTY OF S.M. S.p.A. AND IS NOT TO BE REPRODUCED, COPIED, OR TRANSMITTED IN ANY FORM OR BY ANY MEANS, ELECTRONIC OR MECHANICAL, WITHOUT THE WRITTEN PERMISSION OF S.M. S.p.A.

05) TOLTO FILTRO TRIFASE K1		F. MORETTO	11/04/2012
04) MODIFICATI I CONNETTORI PER LE CONNESSIONI ALLE RESISTENZE		F. MORETTO	27/12/2010
03) MODIFICATI I CONNETTORI PER LE CONNESSIONI ALLA RESISTENZA VASCA DA INARCA A CEMBRE		L. BARBERO	04/12/2008
02) MODIFICATI I CONNETTORI PER LE CONNESSIONI ALLA RESISTENZA VASCA.		L. BARBERO	29/08/2008
POS.	MODIFICAZIONI	SIGNATURE	REQUEST
MATERIAL	SCALE	PROJ.	DATE
TREATMENTS	WEIGHT	APPROVED	REVISION
DESIGN OWNER	DESIGNER	DATE	ISSUE NO.
01/AVS900	F. MORETTO	08/09/2006	0001/30
TITLE SCHEMA ELETTRICO LS5-LS6		ELECTRICAL DRAW LS5-LS6	
NUMBER 600625805		SHEET 1/4	

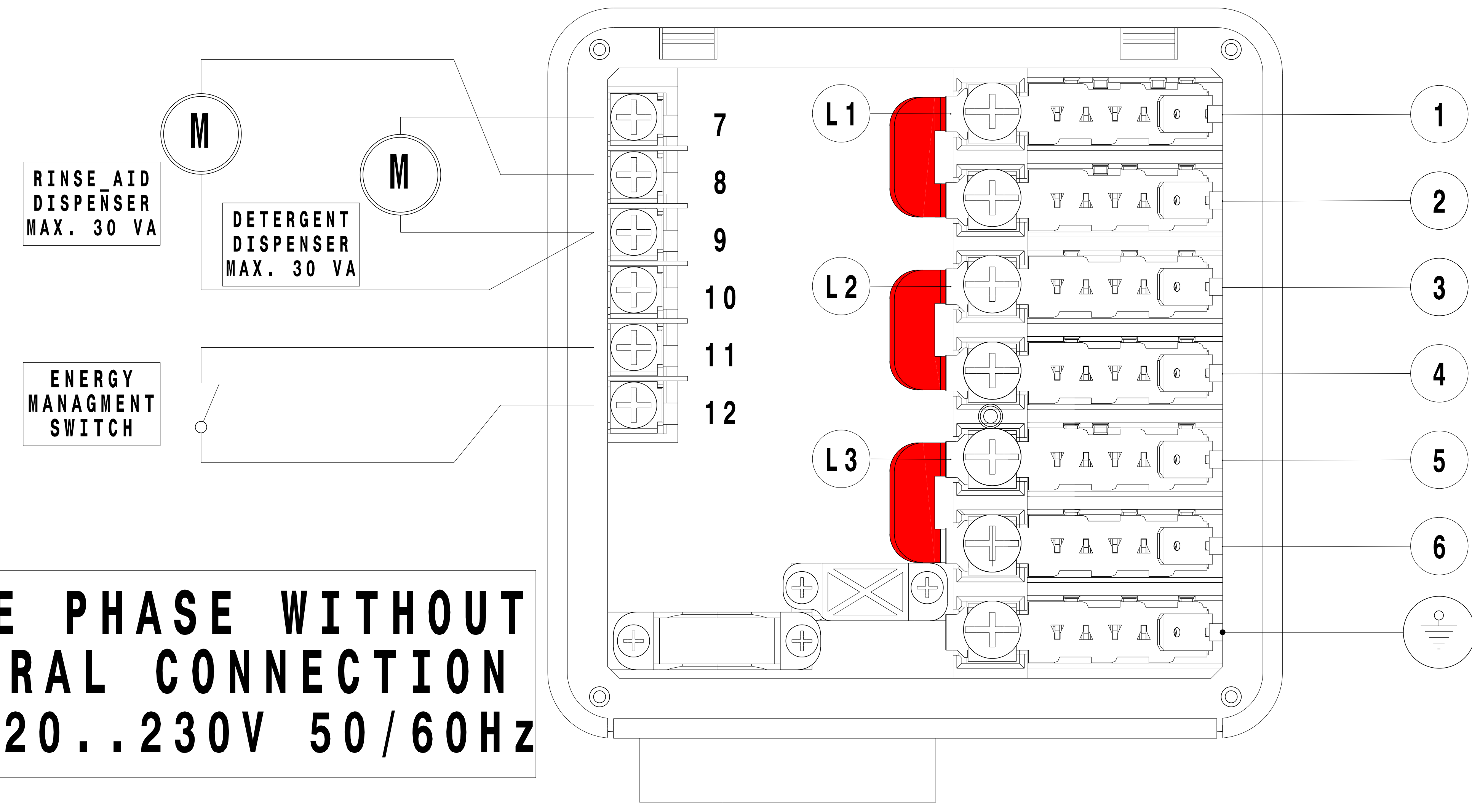
ALL COMPONENTS BEING USED IN THIS DRAWING MUST BE APPROVED BY THE DESIGNER. THE DESIGNER'S APPROVAL IS NOT VALID UNLESS THE COMPONENTS ARE USED IN THE MANNER AND QUANTITY SPECIFIED IN THIS DRAWING. THE DESIGNER IS NOT RESPONSIBLE FOR THE CORRECTNESS OF THE INFORMATION PROVIDED BY THE MANUFACTURERS OF THE COMPONENTS. THE DESIGNER IS NOT RESPONSIBLE FOR THE CORRECTNESS OF THE INFORMATION PROVIDED BY THE MANUFACTURERS OF THE COMPONENTS. THE DESIGNER IS NOT RESPONSIBLE FOR THE CORRECTNESS OF THE INFORMATION PROVIDED BY THE MANUFACTURERS OF THE COMPONENTS.



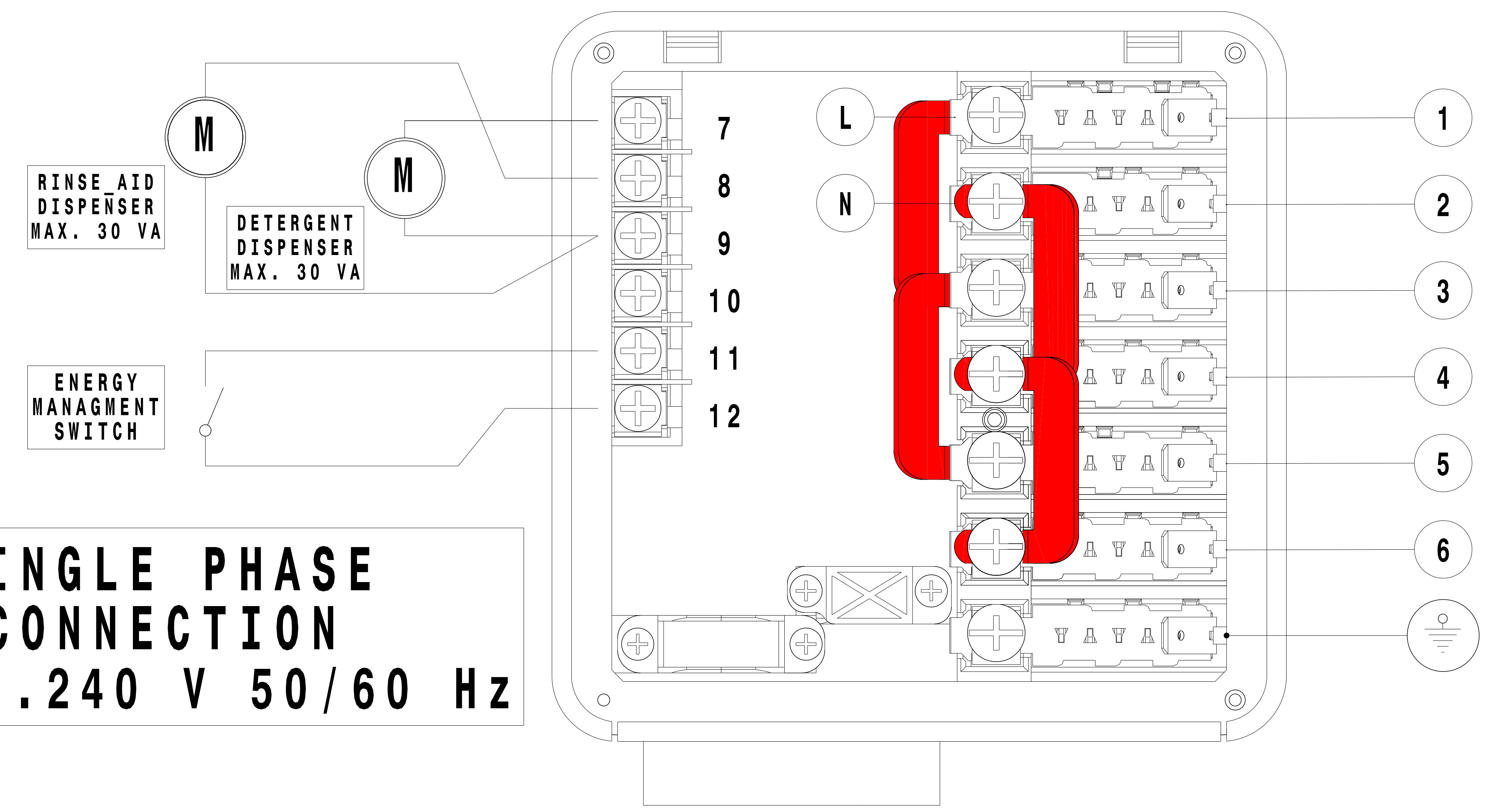
THREE PHASE WITH NEUTRAL CONNECTION
380...415 V 50/60 Hz



THREE PHASE WITHOUT NEUTRAL CONNECTION
200-220..230V 50/60Hz



SINGLE PHASE CONNECTION
220...240 V 50/60 Hz

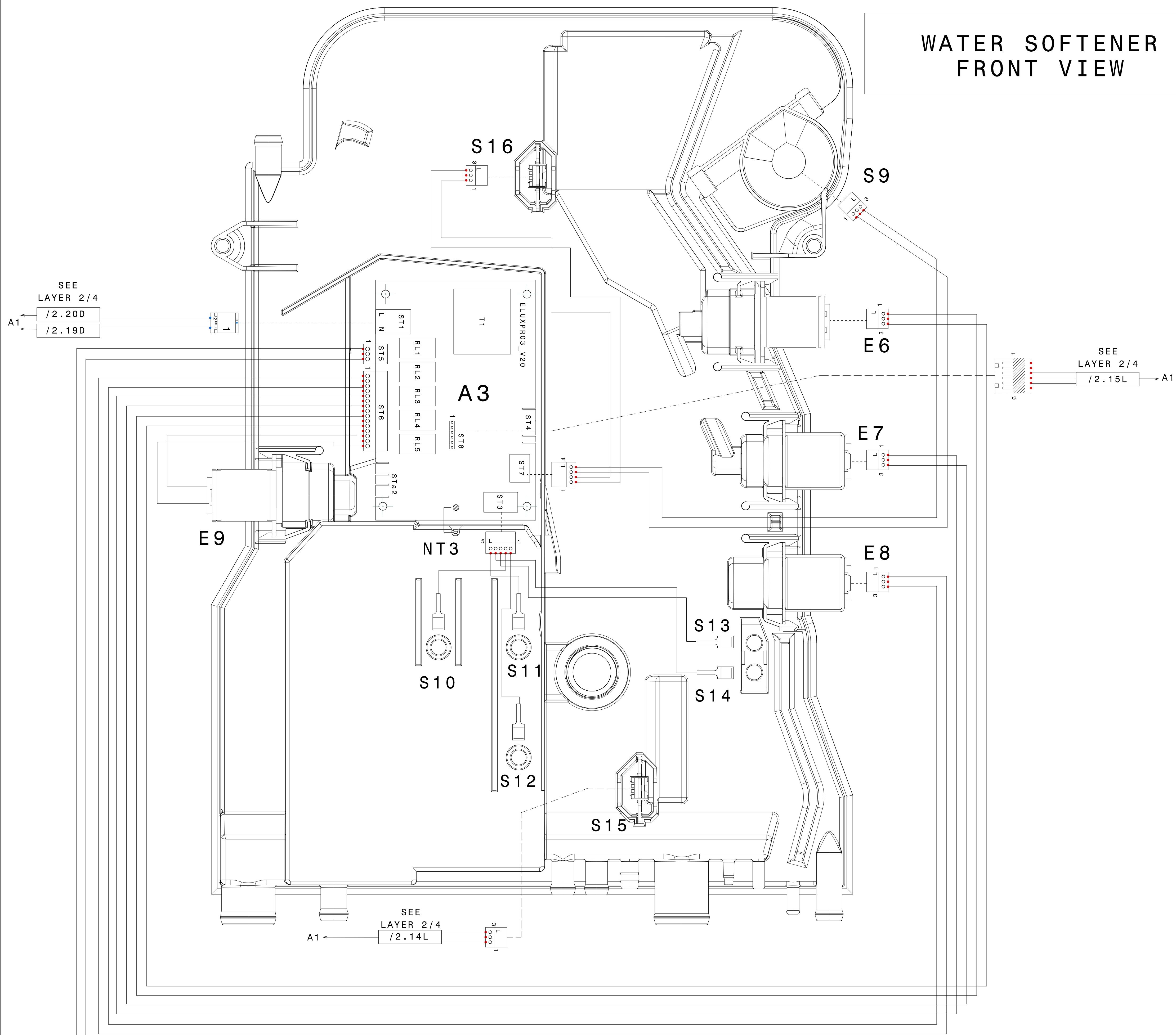


THIS DRAWING CONTAINS CONFIDENTIAL INFORMATION. IT IS THE PROPERTY OF SUSTITUBRAS S.p.A. AND IS NOT TO BE REPRODUCED OR TRANSMITTED IN ANY FORM OR BY ANY MEANS, ELECTRONIC OR MECHANICAL, INCLUDING PHOTOCOPYING, RECORDING, OR BY ANY INFORMATION STORAGE AND RETRIEVAL SYSTEM. WITHOUT THE WRITTEN PERMISSION OF SUSTITUBRAS S.p.A., THIS DOCUMENT IS STRICTLY CONFIDENTIAL AND IS TO BE KEPT UNDER LOCK AND KEY. SUSTITUBRAS S.p.A. IS NOT RESPONSIBLE FOR THE DRAWING.

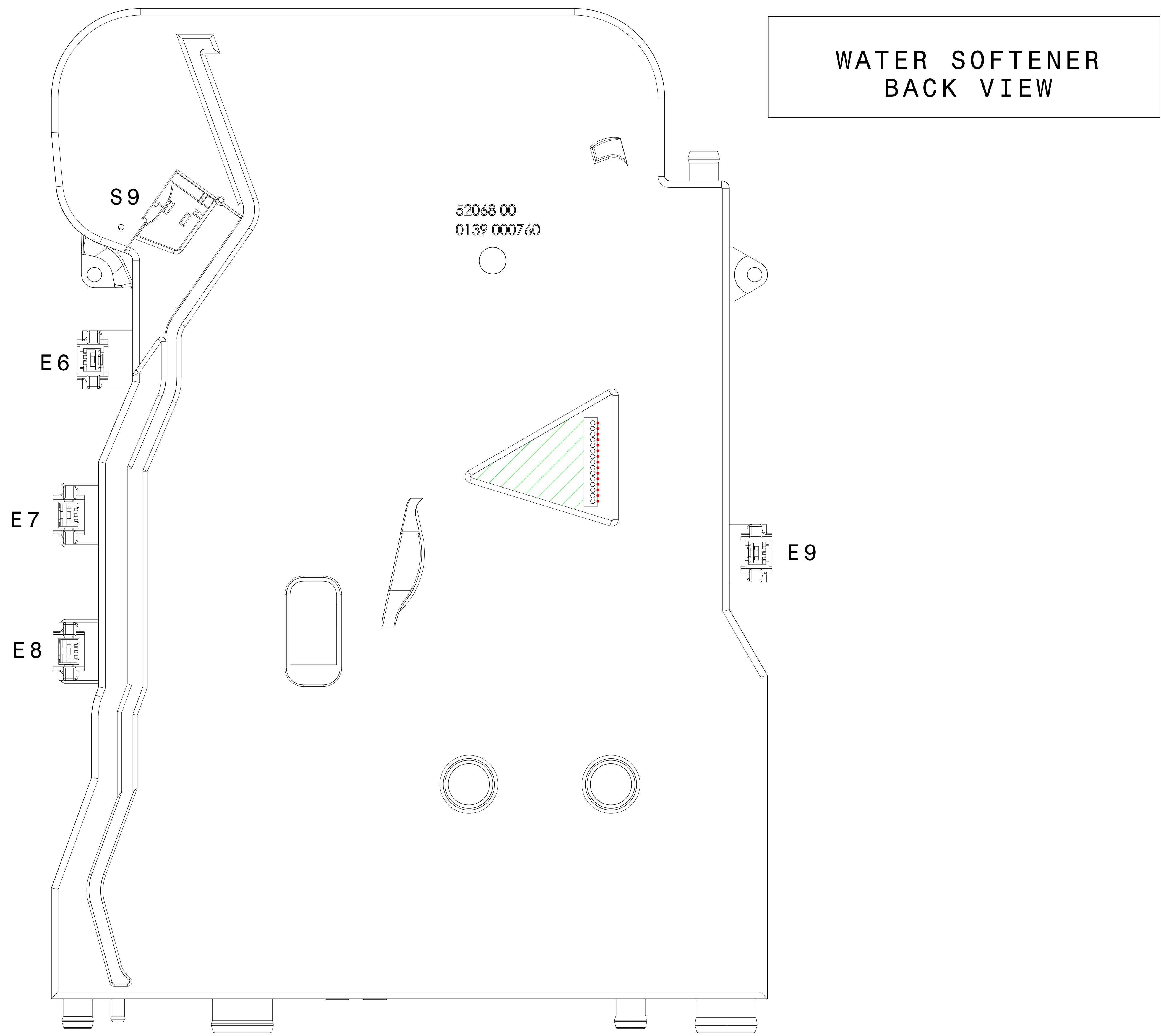
1) PER IL CASO DI QUANTO SOTTO INDICATO, IL CLIENTE DEVE GARANTIRSI CHE LE DIMENSIONI DELLE PARTI SOTTO INDICATE SIANO CORRETTE. SUSTITUBRAS S.p.A. NON È RESPONSABILE PER ERRORE DI DIMENSIONI.

PRESSIONI: 1.5 MPa
 TEMPERATURA: 130°C
 DIMENSIONI: 1000 x 1000
 SCALA: 1:1

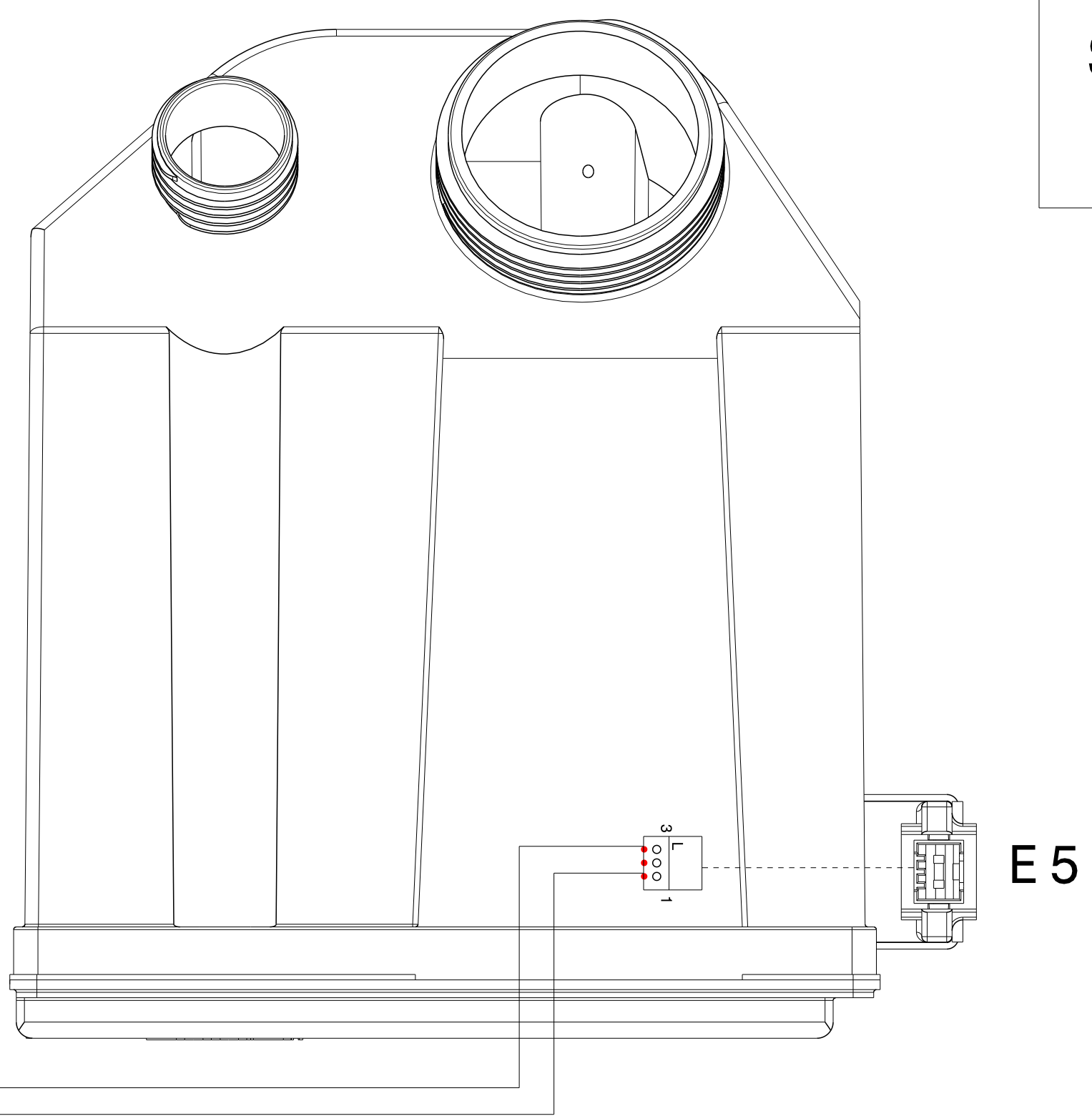
WATER SOFTENER
FRONT VIEW



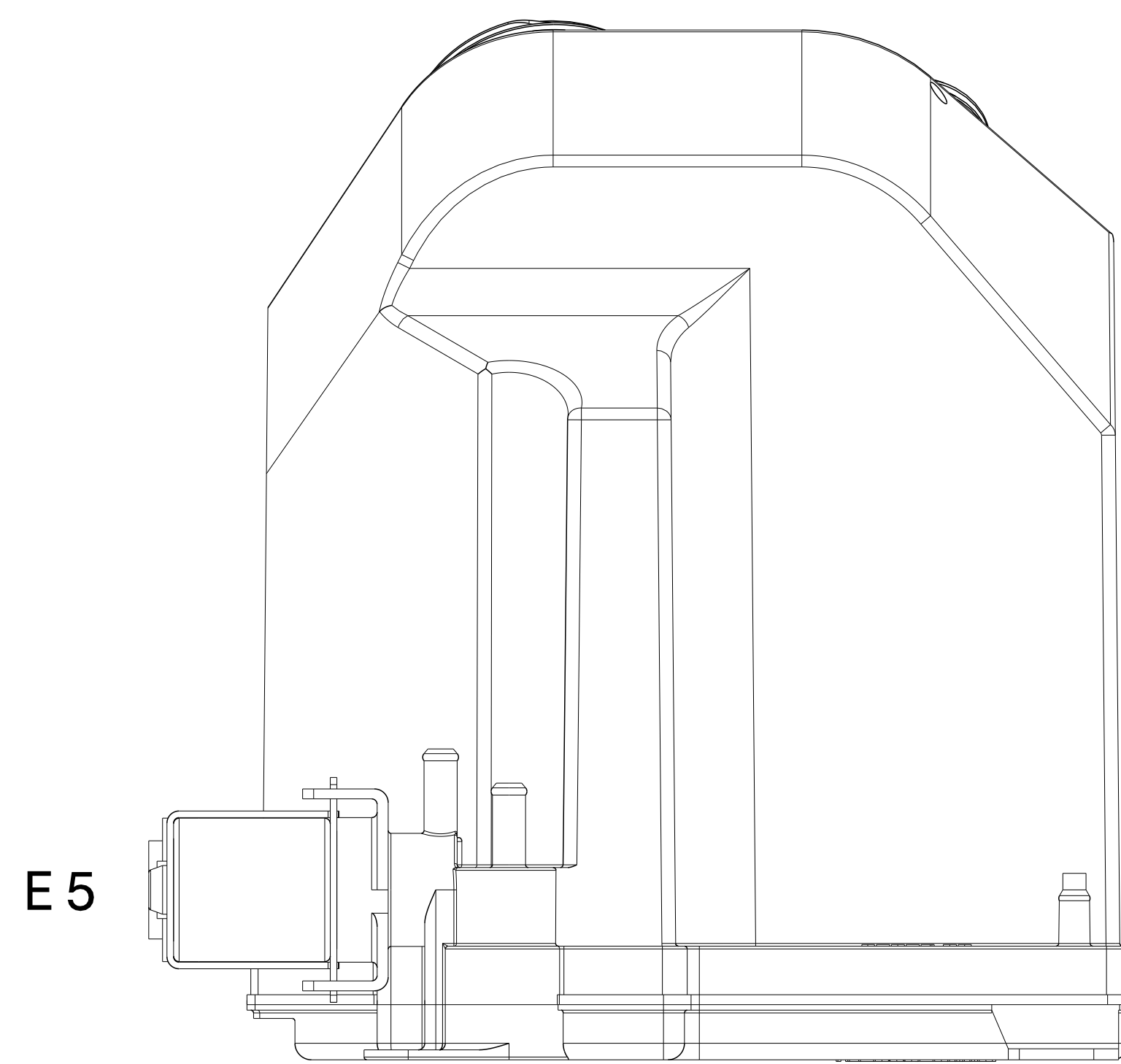
WATER SOFTENER
BACK VIEW



SALT CONTAINER
FRONT VIEW



SALT CONTAINER
BACK VIEW



THIS DRAWING CONTAINS CONFIDENTIAL INFORMATION.
REPRODUCTION OR TRANSMISSION OF ANY PART OF THIS DRAWING WITHOUT THE WRITTEN PERMISSION OF THE DRAWING ENGINEER IS PROHIBITED.
IF YOU ARE AN EMPLOYEE OF THE COMPANY YOU MUST NOT DISCLOSE THIS INFORMATION TO ANY OTHER EMPLOYEE, CONTRACTOR, SUBCONTRACTOR, AGENT, OR OTHER PERSON WITHOUT THE WRITTEN PERMISSION OF THE DRAWING ENGINEER.

GENERAL TOLERANCES
UNLESS OTHERWISE SPECIFIED:
DIMENSIONS: FRACTIONS DECIMALS ANGLES
FRACTIONS: 1/32, 1/16, 1/8, 3/16, 1/4, 3/8, 1/2, 5/8, 3/4, 7/8, 1
DECIMALS: .015, .030, .045, .060, .075, .090, .120, .150, .180, .210, .240, .270, .300, .330, .360, .390, .420, .450, .480, .510, .540, .570, .600, .630, .660, .690, .720, .750, .780, .810, .840, .870, .900, .930, .960, .990, 1.000
ANGLES: 15, 30, 45, 60, 75, 90, 105, 120, 135, 150, 165, 180

DESIGN OWNER	DESIGNER	DATE	JOB NO.	SCALE
SCHEMA ELETRICO	F. MORETTO	08/09/2006	CONCEPT	AS SHOWN
ELECTRICAL DRAW LS5-LS6				
NUMBER 600625805				
D.W. AVIGNONE				